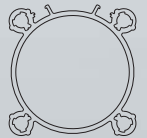




KE_Cylinders according to ISO15552

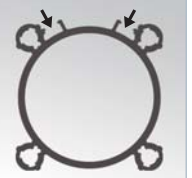


- └ New tube design
- └ Grooves for recessed sensor DF series
- └ $\varnothing 32 \div 125$ mm

KE_Cylinders according to ISO 15552 Ø 32 ÷ 125 mm



Tube grooves for recessed DF series sensors **Original UNIVER** Ø 32 ÷ 125 mm



Recessed sensors DF series (insertable in the grooves from above)



On request different position upon customer requirements



Possibility to mount traditional sensors DH series with bracket

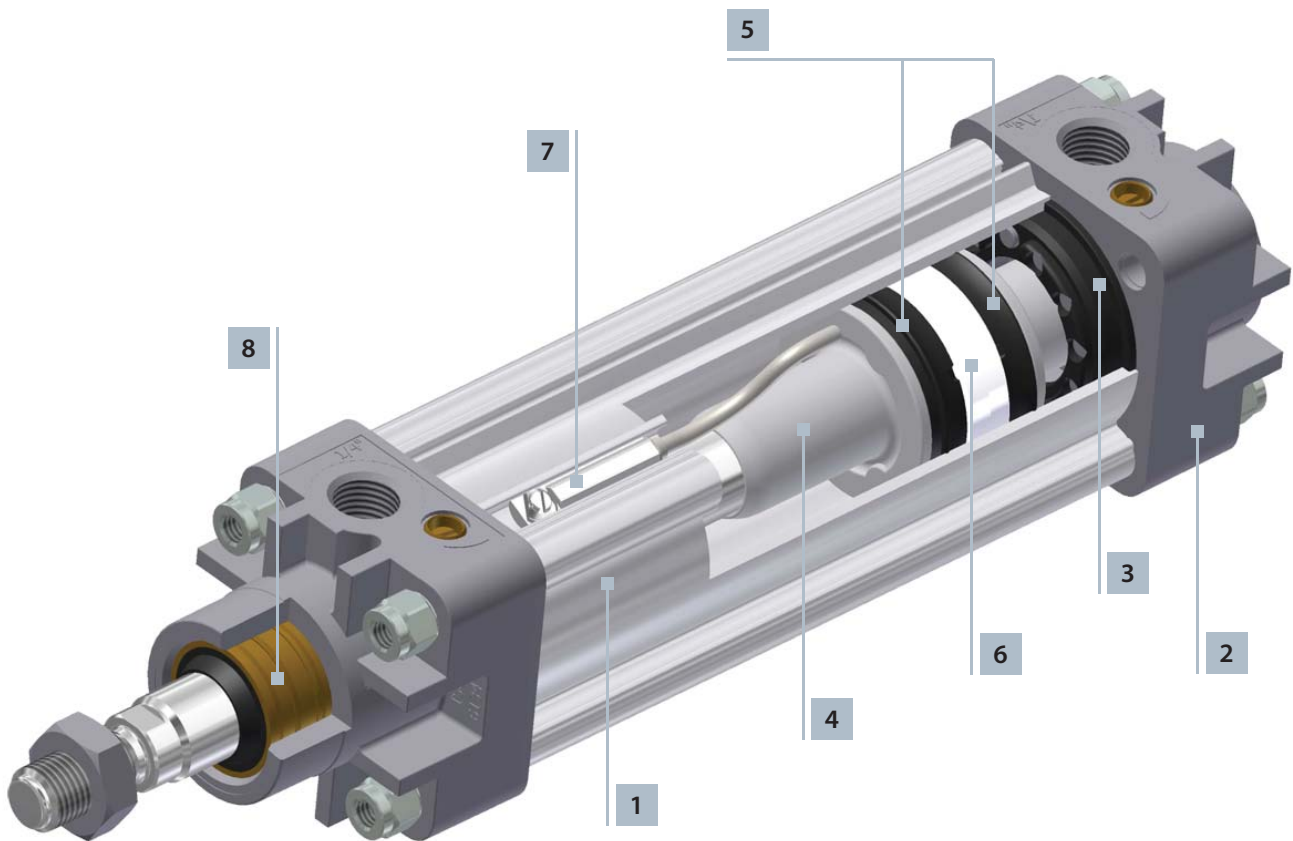


Intermediate hinge with a locking system guaranteed by the experience in the AUTOMOTIVE field



UNIVER original standard fixing





1	Extruded aluminium barrel, new design, with grooves for recessed sensor DF series
2	Die-cast end caps in aluminium alloy (K series)
3	Rubber cushions in NBR
4	Die-cast piston in aluminium alloy with integrated conical cushions (K series)
5	Double lip piston seals in NBR with
6	Piston rod guide in acetalic resin
7	Recessed sensor DF series
8	UNIVER original self-lubricating and self-aligning piston rod bush ^(*)

(*) Rigid piston rod bush upon request

KE

Cylinders according to ISO 15552 $\varnothing 32 \div 125$ mm

KE Series cylinders are designed with the UNIVER traditional construction technology of K series; they can fully satisfy the most demanding users. KE series adopts a new design tube tested for specific solutions since 2005, provided with grooves for integration of recessed DF sensors.



TECHNICAL CHARACTERISTICS

Ambient temperature	-20 ÷ 80 °C
Fluid	filtered air lubricated or not lubricated
Working pressure	1,5 ÷ 10 bar
Bores	$\varnothing 32 - 40 - 50 - 63 - 80 - 100 - 125$ mm
Cushions	adjustable pneumatic cushions on both sides

CONSTRUCTIVE CHARACTERISTICS

End caps	die-cast aluminium alloy
Barrel	anodized aluminium
Piston	die-cast aluminium alloy
Piston rod guide	acetalic resin
Piston rod	chromium-plate steel standard, stainless steel upon request
Piston rod seal	double-lip seal in nitrile rubber
Piston rod bush	UNIVER original self-lubricating and self-aligning
Rubber cushions	nitrile rubber
Magnetic rings	plastoferrite

CODIFICATION KEY

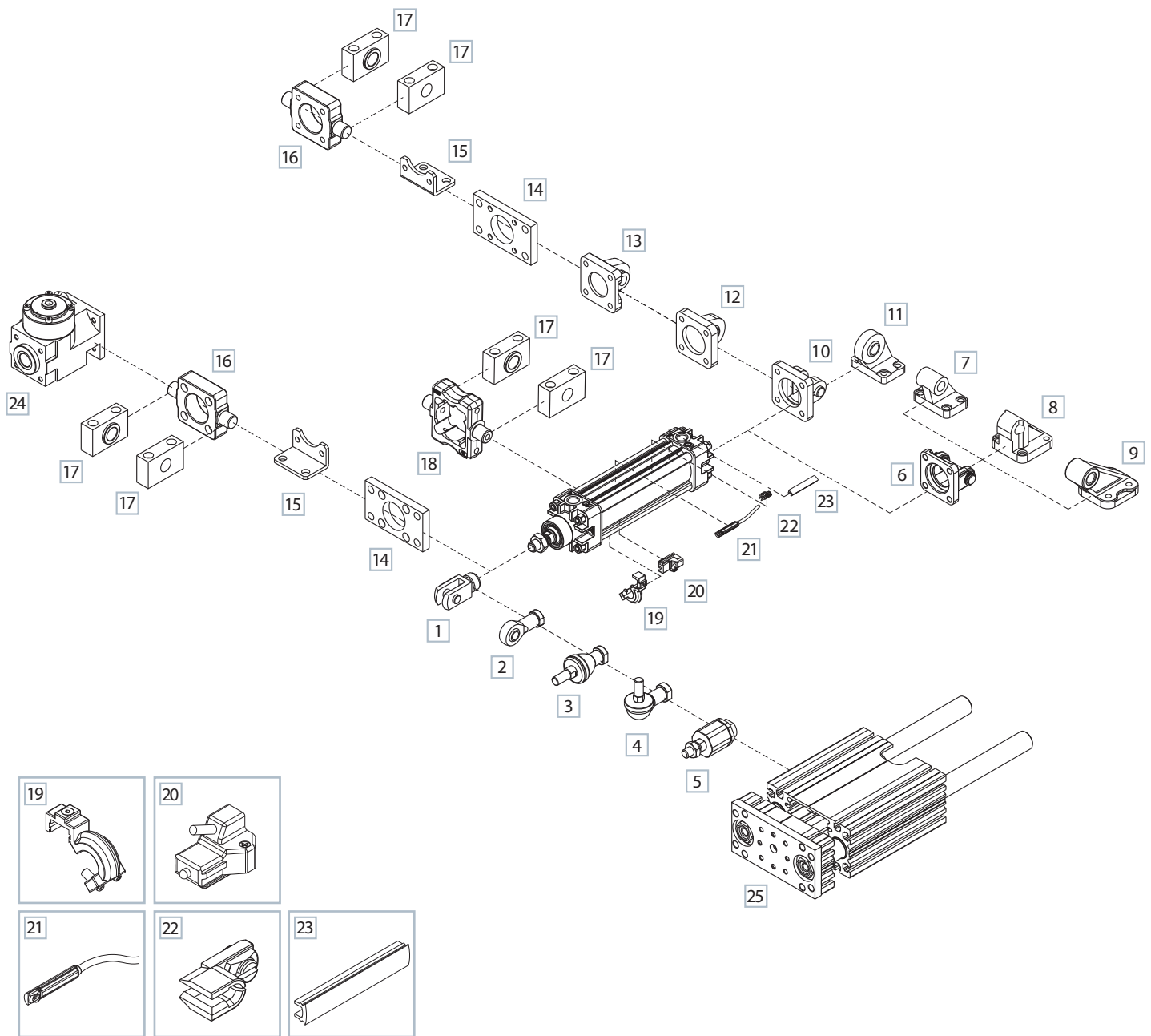
K	E	2	0	0	0	3	2	0	0	5	0	G	M
1	2	3	4		5			6					

1 Series	2 Type	3 Version	4 Bore (mm)	
KE = Cylinders according to ISO 15552 $\varnothing 32 \div 125$ mm	1 = Stainless steel piston rod 2 = Chromium-plated steel piston rod	00 = D.A. Standard piston rod 01 = D.A. Through piston rod 60 = S.A. Retracted piston rod, max stroke 50 mm 70 = S.A. Extended piston rod, max stroke 50 mm	032 = $\varnothing 32$ 040 = $\varnothing 40$ 050 = $\varnothing 50$ 063 = $\varnothing 63$	080 = $\varnothing 80$ 100 = $\varnothing 100$ 125 = $\varnothing 125$

5 Stroke					6 Variant
0025 = 25 mm	0125 = 125 mm	0250 = 250 mm	0450 = 450 mm	0900 = 900 mm	F = For use with locking unit with reduced dimensions G = For use with locking unit with ISO dimensions M = Magnetic version
0050 = 50 mm	0150 = 150 mm	0300 = 300 mm	0500 = 500 mm	1000 = 1000 mm	
0075 = 75 mm	0160 = 160 mm	0320 = 320 mm	0600 = 600 mm		
0080 = 80 mm	0175 = 175 mm	0350 = 350 mm	0700 = 700 mm		
0100 = 100 mm	0200 = 200 mm	0400 = 400 mm	0800 = 800 mm		

D.A. = Double acting S.A. = Single acting

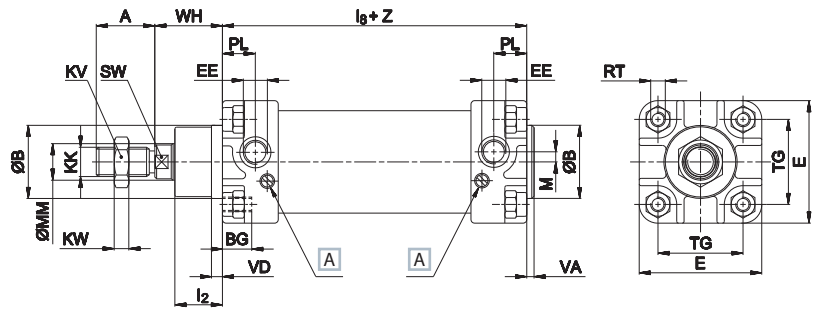
> Accessories and fixing elements



DESCRIPTION	PART NO.
1 Female fork with clips	KF-15 ___
2 Articulated self-lubricating fork	KF-17 ___
3 Fork with axially mounted articulated pin	KF-22 ___
4 Fork with angle-mounted articulated pin	KF-23 ___
5 Floating joint	KF-24 ___
6 Female rear hinge with pin	KF-10 ___ A
7 Counter hinge 90° (CETOP)	KF-19 ___ -CTA
8 Counter hinge 90°	KF-19 ___
9 Counter hinge 90° (CNOMO)	KF-19 ___ CN
10 Narrow female hinge with clips	KF-10 ___ AS
11 Articulated counter-hinge 90° DIN	KF-19 ___ SC
12 Male rear hinge (MP4)	KF-11 ___ S
13 Narrow male articulated hinge	KF-11 ___

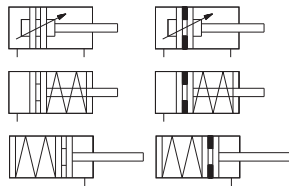
DESCRIPTION	PART NO.
14 Front (MF1), rear (MF2) flange	KF-12 ___
15 Bracket MS1	KF-13 ___
16 Front- rear hinge	KF-14 ___ -AP
17 Support for intermediate hinge	KF-41 ___
18 Intermediate hinge ISO MT4	KLF-14 ___
19 Mounting bracket magnetic sensor DH series	DH-K...
20 Magnetic sensor DH series	DH-220
21 Magnetic sensor DF series	DF-220
22 Cable clamping magnetic sensor DF series	DF-001
23 Strip cover magnetic sensor DF series	DHF-0020100
24 Locking units (screws not included)	L1-N...
25 Slide units	J12...

Standard version



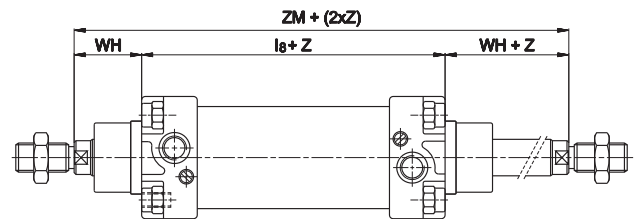
A Adjusting screw pneumatic cushioning

Z = stroke

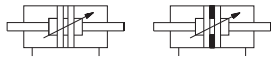


For extended rod version add WH+Z(stroke) dimensions

Through piston rod version



Z = stroke



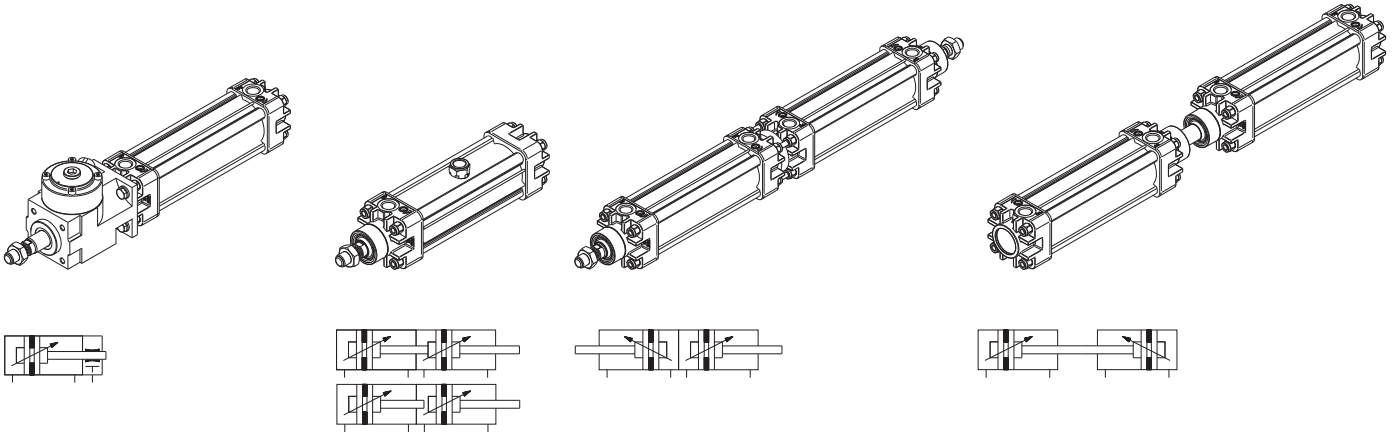
Ø	A ^(a)	B	BG	E	EE ^(b)	KK ^(a)		KV	KW	l ₂	l ₈	
		e11				nom.	toll.				nom.	toll.
32	22	30	14	48	G1/8	M10x1,25		17	6	16	94	±0,4
40	24	35	14	54	G1/4	M12x1,25		19	7	20	105	±0,7
50	32	40	16	67	G1/4	M16x1,5		24	8	26	106	±0,7
63	32	45	16	78	G3/8	M16x1,5		24	8	26	121	±0,8
80	40	45	16	97	G3/8	M20x1,5		30	9	32	128	±0,8
100	40	55	16	115	G1/2	M20x1,5		30	9	35	138	±1
125	54	60	20	140	G1/2	M27x2		41	12	45	160	±1
Ø	M	MM	PL	RT	SW	TG		VA	VD	WH	ZM	
						nom.	toll.					
32	4,5	12	15	M6	10	32,5	±0,5	3	5	26	146	
40	5	16	18	M6	13	38	±0,5	4	6	30	165	
50	6	20	18	M8	17	46,5	±0,6	4	6	37	180	
63	8	20	21,5	M8	17	56,5	±0,7	4	6	37	195	
80	7,5	25	21,5	M10	22	72	±0,7	5*	8	46	220	
100	9	25	21,5	M10	22	89	±0,7	6*	8	51	240	
125	11	32	24,5	M12	27	110	±1,1	7*	10	65	290	

* = Dimensions according to ISO upon request

(a) = A and KK dimensions correspond to ISO 4359 long type

(b) = EE dimensions are in inches according to ISO 228/1 standard

Other versions available



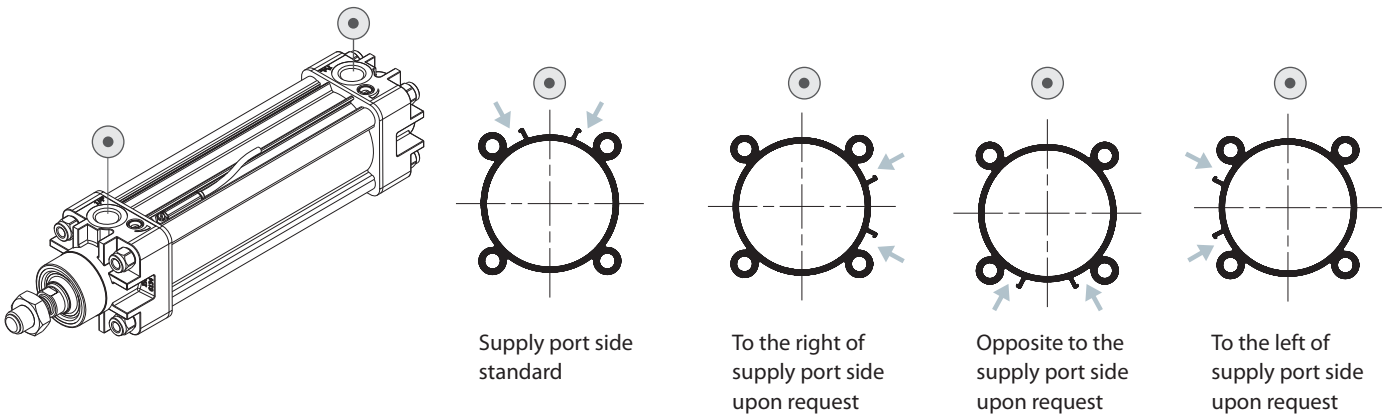
■ cylinder with locking unit

■ tandem cylinder
■ two-position tandem cylinder

■ Tandem cylinder opposed rod

■ Tandem cylinder common rod

Slot positions for magnetic sensor



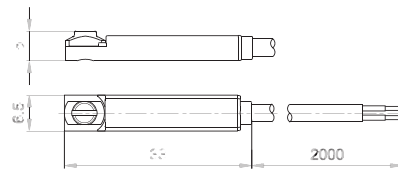
● supply port

DF sensor

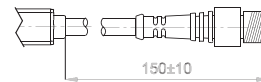
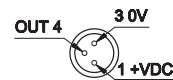


CHARACTERISTICS	TYPE	ELECTROMECHANICAL			ELECTRONIC
		DF-220 2 wires NO	DF-330 3 wires PNP NO	DF-440 3 wires PNP NC	DF-770 3 wires PNP NO
Working voltage	V AC/DC	5÷30 V AC/DC	5÷30 V AC/DC	5÷30 V AC/DC	5÷30 V DC
Max switching current	mA	100	100	100	100
Max switching power	W/VA	3	3	3	3
Max voltage drop	V AC/DC	<3,5V	0,1V	0,1V	0,7V
Minimum magnetic field	gauss	60	60	60	30
Opening response time	ms	< 0,5	< 0,5	< 0,5	0,08
Closing response time	ms	< 1	< 1	< 1	0,03
Electric life with resistive load	cycles	>10 ⁷	>10 ⁷	>10 ⁷	>10 ⁹
State indicator	LED	red	red	red	red
Cables number and section	mmq	2x0,14	3x0,14	3x0,14	3x0,14
Electric circuit	-	A	C	D	C
Protection degree	EN60529	IP67			
Working temperature	°C	-20 ÷ +80 °C			

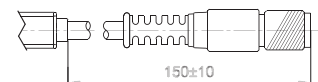
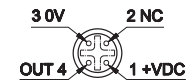
■ Cable version



■ M08 version

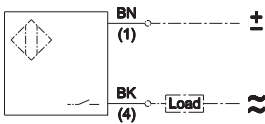


■ M12 version

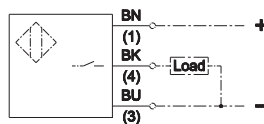


Electrical circuits

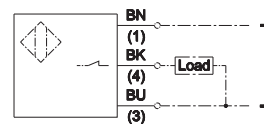
A AC/DC 2 wires NO



C DC 3 wires PNP NO



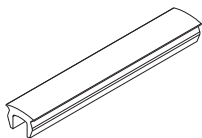
D DC 3 wires PNP NC



BN = brown
BK = black
BU = blue

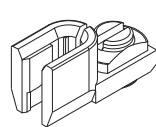
Accessories

> DHF-0020100

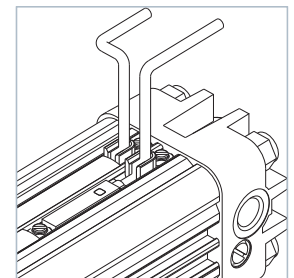
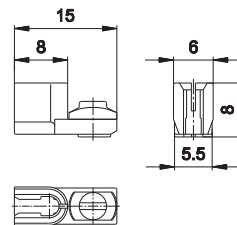


■ Strip cover magnetic sensor

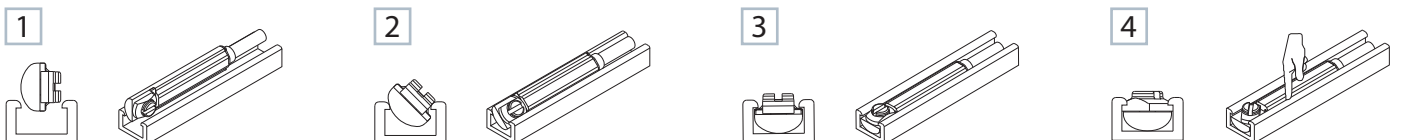
> DF-001



■ Cable clamping



Mounting example



UNIVER S.p.A.
Headquarter

I - 20128 **Milano**
Via Eraclito, 31
Tel. +39 02 25298.1
Fax +39 02 2575254
e-mail: info@univer-group.com
www.univer-group.com

UNIVER SERVICE S.r.l.
Headquarter

I - 20128 **Milano**
Via Empedocle, 20
Tel. +39 02 25298.1
Fax +39 02 25298370
e-mail: universervice@universervice.it
www.universervice.it

UNIVER CUNEO S.r.l.

12040 **Cervere (CN)**
Via dell'Aviazione s.n.
Tel. +39 0172 495790/38
Fax +39 0172 2495611

Branch Office:

LOMBARDIA/VENETO

I - 20128 **Milano**
Via Empedocle, 20
Tel. +39 0225298.1
Fax +39 0225298370
universervice@universervice.it
www.universervice.it

I - 24060 Castelli Calepio **Bergamo**

Via C. Curotti, 31/33
Tel. +39 035 892707
Fax +39 035 892700
castellicalepio@universervice.it
www.universervice.it

PIEMONTE/LIGURIA/VALLE D'AOSTA

I - 10071 Borgaro Torinese **Torino**
Via Veneto, 18
Tel. +39 011 4501871
Fax +39 011 4502898
torino@universervice.it
www.universervice.it

EMILIA ROMAGNA/TOSCANA/MARCHE

I - 40069 Zola Predosa **Bologna**
Via Guido Rossa, 21
Tel. +39 051 753907
Fax +39 051 6184751
bologna@universervice.it
www.universervice.it

CENTRO/SUD

I - 40069 Zola Predosa **Bologna**
Via Guido Rossa, 21
Tel. +39 051 753907
Fax +39 051 6184751
bologna@universervice.it
www.universervice.it

www.univer-group.com

UNIVER Pty Ltd

AUSTRALIA - 3175 **Victoria**
Nicole Way Dandenong, 11
Tel. +61 3 97930377
Fax +61 3 97930399
e-mail: sales@univer.net.au

UNIVER G.m.b.H.

GERMANY - 53859 **Niederkassel**
Marktstraße 114
Tel. +49 2208 90900
Fax +49 2208 909040
e-mail: info@univer-gmbh.de
www.univer-gmbh.de

UNIVER

Manufacturing Company Ltd.

UNITED KINGDOM - **Bradford**
Station Road - West Yorkshire BD14SF
Tel. +44 1274 725777
Fax +44 1274 725111
e-mail: enquiries@univer.co.uk
www.univer.co.uk

UNIVER do Brasil S/A

BRASIL - 83055-320
São José dos Pinhais - Paraná
Av. Rui Barbosa, 3005
Tel. +55 41 33824606
Fax +55 41 33824807
e-mail: univerbrasil@univer.com.br
www.univer.com.br

UNIVER S.L.

System Supplier Pneumatic

SPAIN - 08210 **Barbera Del Valles**
Barcelona - Ronda Industria, 26 - 28
Tel. +34 93 7297360
Fax +34 93 7297380
e-mail: univer@univerweb.com
www.univerweb.com

Distributors Worldwide:

ARGENTINA
AUSTRIA
BELGIUM
CANADA
CHINA
CROAZIA
CYPRUS
CZECH REPUBLIC
DENMARK
ECUADOR
EGYPT
FRANCE

GREECE
HUNGARY
INDIA
INDONESIAN
IRELAND
ISRAEL
MALAYSIA
MOROCCO
NETHERLANDS
NEW ZEALAND
PAKISTAN
PERU

POLAND
PORTUGAL
SAUDI ARABIA - KUWAIT - QATAR SYRIA
SERBIA
SLOVENIA
SOUTH AFRICA
TAIWAN
THAILAND
TUNISIA
TURKEY
USA
UNITED ARAB EMIRATES - OMAN - YEMEN