

# Type 225

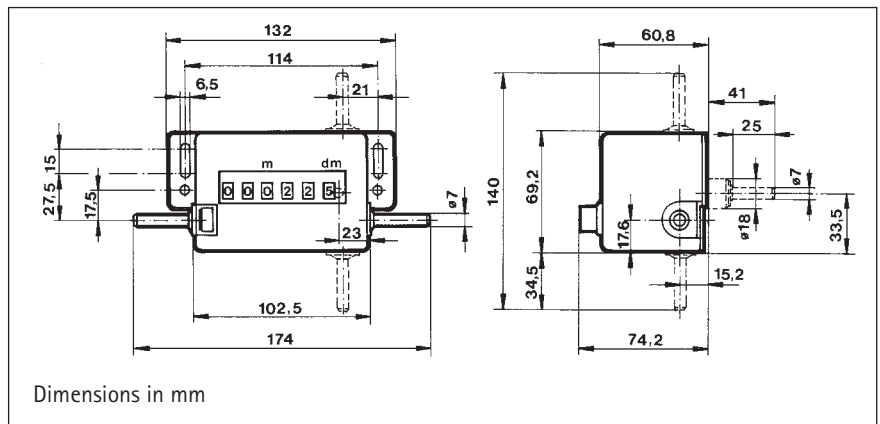


## TECHNICAL DATA

- 6-digit display
- Large digits, 6.5 mm high
- Button reset
- Counter with suspension device
- Adjustable counterweight
- 6-digit display m/dm or m/cm
- Button reset

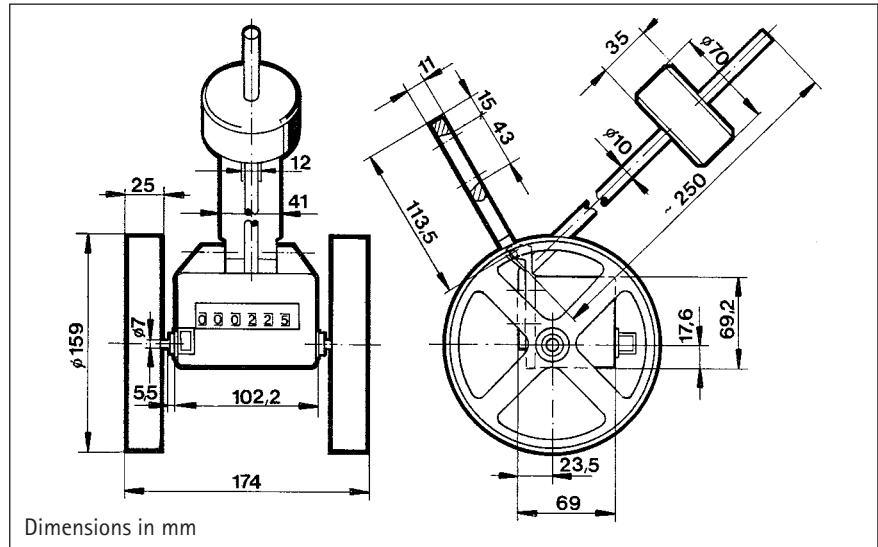
Display	6-digit
Digit height	6.5 mm
Base plate	burnished sheet steel
Case	die-cast metal
Cover	plastic (ASB), grey
Weight	approx. 750 g
	Counter with suspension device and downward weight approx. 2.400 kp. Downward weight can be shifted in order to regulate contact pressure
Counting mode	+ (-), stroke counter: +
Transmission ratio	1:1, length counter 1:5 or 1:50
Max. speed	10000 digits/min, stroke counter 800 strokes/min
Torque	1.2 Ncm, stroke counter 8.0 Ncm
Actuating angle	min. 38°, max. 55° (stroke counter only)
Reset	button reset, secured against unauthorized operation
⚠	Don't push the reset pushbutton during the process

## DIMENSIONS



## DIMENSIONS

Counter with suspension device



Dimensions in mm

## ORDER INFORMATION

Revolution counter

Length counter

Length counter with suspensio device

Stroke counter

Actu- ation	Sense of rotation	Indication Unit	Trans. ratio 1:1		Trans. ratio 1:5		Trans. ratio 1:50	
			Ord. code	Unit	Ord. code	Unit	Ord. code	Unit
<input type="checkbox"/>	Bz	999 999	0 225 001	-	-	-	-	-
<input type="checkbox"/>	Bw	999 999	0 225 002	-	-	-	-	-
<input type="checkbox"/>	U	999 999	0 225 101*	-	-	-	-	-
<input type="checkbox"/>	G	999 999	0 225 102*	-	-	-	-	-
<input type="checkbox"/>	U	999 999	0 225 201*	-	-	-	-	-
<input type="checkbox"/>	G	999 999	0 225 202*	-	-	-	-	-
<input type="checkbox"/>	Bz	99 999.9 m/dm	-	0 225 003 m/dm	0 225 007 m/cm	-	-	-
<input type="checkbox"/>	Bw	99 999.9 m/dm	-	0 225 004 m/dm	0 225 008 m/cm	-	-	-
<input type="checkbox"/>	Bz	99 999.9 m/dm	-	0 225 501 m/dm	0 225 505 m/cm	-	-	-
<input type="checkbox"/>	Bw	99 999.9 m/dm	-	0 225 502 m/dm	0 225 506 m/cm	-	-	-
<input type="checkbox"/>	Bz	999 999	0 225 301	-	-	-	-	-
<input type="checkbox"/>	Bw	999 999	0 225 302	-	-	-	-	-

Stroke lever      Ordering code 0 600 005      For other stroke levers see accessories

Panel frame      Ordering code 1 250 056      See accessories for description

\* on request

For measuring wheel see accessories, they are not included in normal delivery