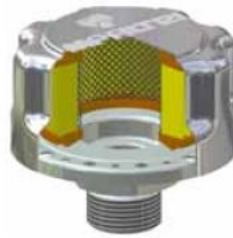


Series TA 80

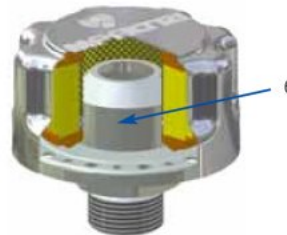
TA80G.....P01

With filter



TA80G03.9P01

With anti-slash feature

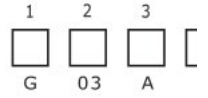


TA80G...A...P01

With filter and pressurization valve



Breather filter
 TA80
 Example: TA80



1 - Connection to reservoir

G	G 3/4"
N	3/4" NPT

2 - Filter element

03	3 µm
10	10 µm

3 - Seal

0	Without
A	NBR (pressurized only)

4 - Valves

0	Without
1	4.5 psi pressurization val
2	10 psi pressurization val
9	Anti-slosh feature (only with

MP Filtri reserves the right to make changes to the product in relation to technical or commercial requirements.

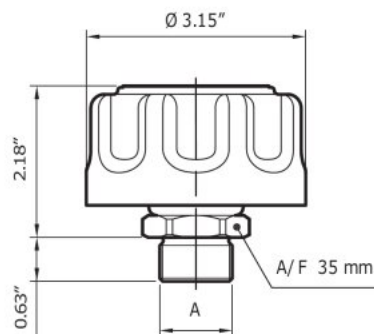
Flow rate with Δp : 0.30 psi

Filtration	cfm	
3 µm	16	1
10 µm	19	2

Weight
 TA 80: 0.77 lbs

Dimensions

Threaded connection



Connection	A
G	G 3/4"
N	3/4" NPT