



Manufactured according to OIML R60 standards

Capacity from 5 kg to 50 kg



- SPECIAL STEEL
- COMBINED ERROR  $\leq \pm 0.05\%$
- PROTECTION CLASS IP65

CAPACITY	kg					PLATFORM DIMENSION (mm)	NET WEIGHT OF LOAD CELL (kg)	CODE
5		•	•	•		150 x 150	0.13	AF5
15		•	•	•		150 x 150	0.13	AF15
50		•	•	•		150 x 150	0.13	AF50

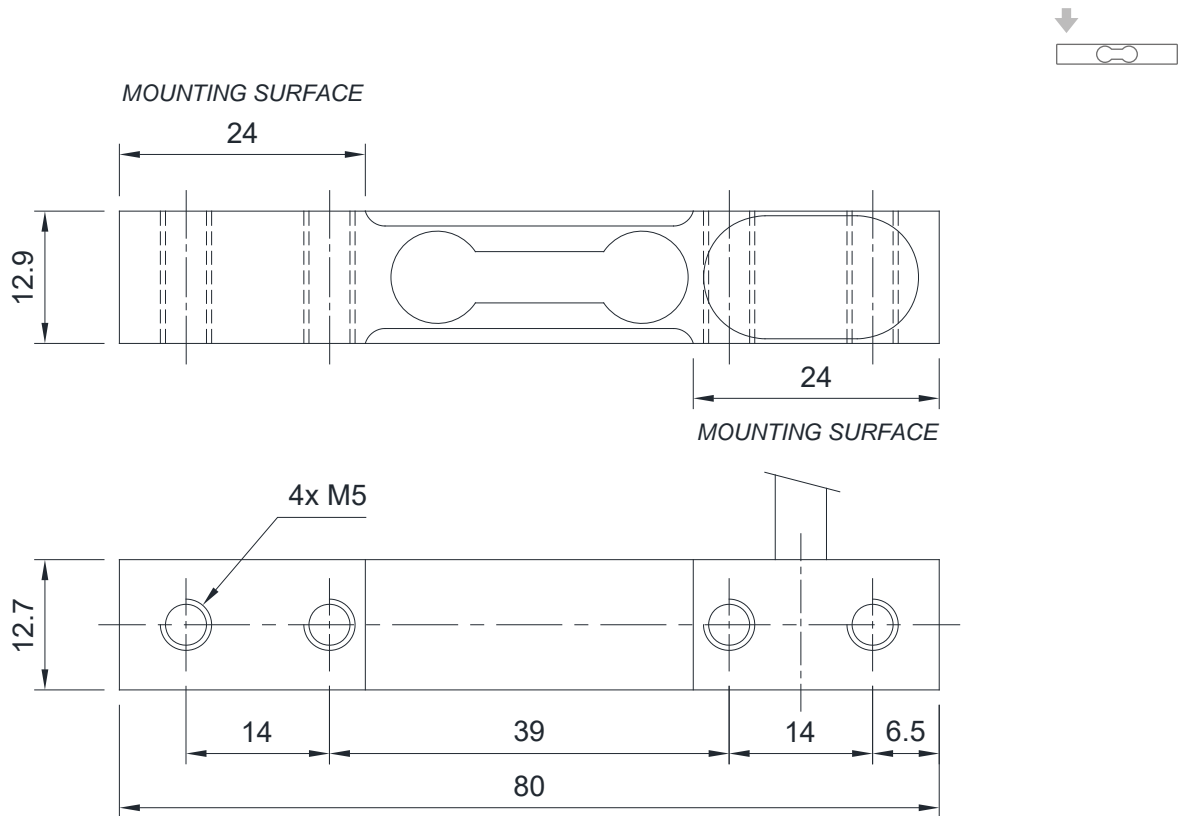
ON REQUEST

### CERTIFICATIONS

#### CERTIFICATIONS ON REQUEST

	ATEX II 1GD (zone 0-1-2-20-21-22)
	IECEx (zone 0-1-2-20-21-22)
	Complies with the Eurasian Custom Union standards
	Complies with the Eurasian Custom Union standards for use in potentially explosive atmospheres

### DIMENSIONS (mm)



### TECHNICAL FEATURES

Material	Special steel		
Nominal load (E max)	5 - 15 - 50 kg		
Combined error	$\leq \pm 0.05\%$		
Protection class	IP65		
Rated output	3 mV/V $\pm 10\%$	Input resistance	410 $\Omega \pm 40$
Temperature effect on zero	0.005% $^{\circ}\text{C}$	Output resistance	350 $\Omega \pm 5$
Temperature effect on span	0.005% $^{\circ}\text{C}$	Zero balance	0-4%
Compensated temperature range	-10 $^{\circ}\text{C}$ / +40 $^{\circ}\text{C}$	Insulation resistance	>2000 M $\Omega$
Operating temperature range	-20 $^{\circ}\text{C}$ / +60 $^{\circ}\text{C}$	Safe overload (% of full scale)	150%
Creep at nominal load in 30 minutes	0.05%	Ultimate overload (% of full scale)	200%
Max supply voltage without damage	10 V	Deflection at nominal load	0.5 mm

### ELECTRICAL CONNECTIONS

Cable length	3 m
Cable diameter	4 mm
Cores	4/6 x 0.20 mm <sup>2</sup>

