



Manufactured according to OIML R60 standards

Capacity from 30 kg to 150 kg



- AISI 420 STAINLESS STEEL
- COMBINED ERROR  $\leq \pm 0.02\%$
- PROTECTION CLASS IP67

CAPACITY	kg					PLATFORM DIMENSION (mm)	NET WEIGHT OF LOAD CELL (kg)	CODE
30		•	•	•	•	400 x 400	0.75	PTC30
50		•	•	•	•	400 x 400	0.75	PTC50
75		•	•	•	•	400 x 400	0.75	PTC75
100		•	•	•	•	400 x 400	0.75	PTC100
150		•	•	•	•	400 x 400	0.75	PTC150

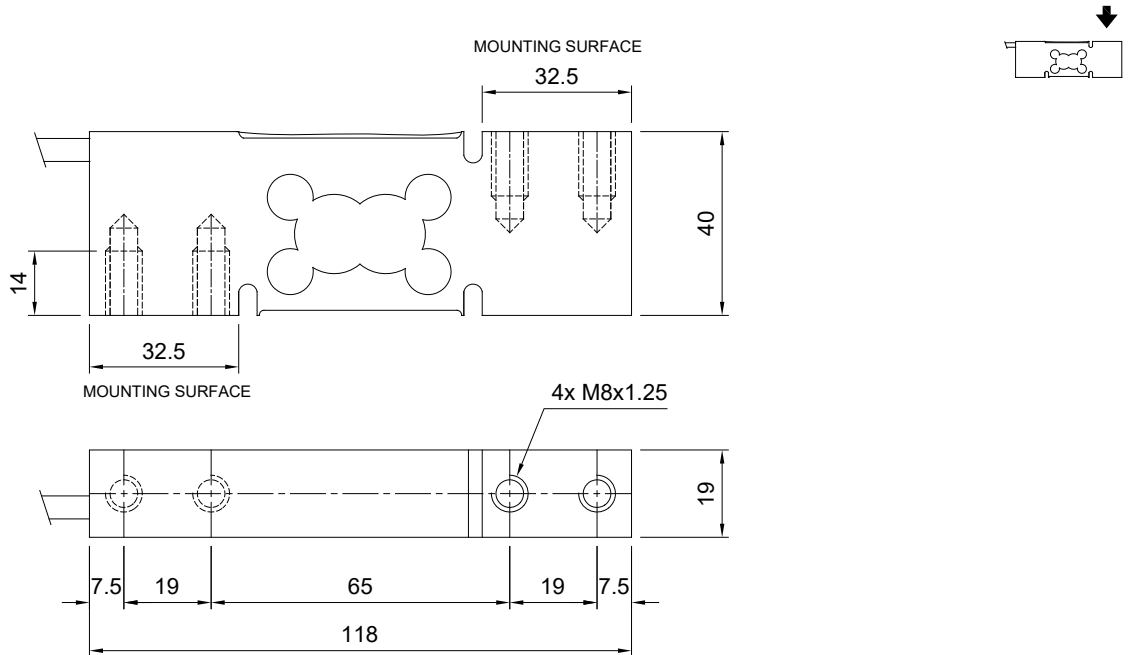
ON REQUEST

### CERTIFICATIONS

#### CERTIFICATIONS ON REQUEST

	ATEX II 1GD (zone 0-1-2-20-21-22)
	IECEx (zone 0-1-2-20-21-22)
	Complies with the Eurasian Custom Union standards
	Complies with the Eurasian Custom Union standards for use in potentially explosive atmospheres

### DIMENSIONS (mm)



### TECHNICAL FEATURES

Material	AISI 420 stainless steel		
Nominal load (E max)	30 - 50 - 75 - 100 - 150 kg		
Combined error	≤ ±0.02%		
Protection class	IP67		
Rated output	2 mV/V ±10%	Input resistance	385 Ω ±30
Temperature effect on zero	0.002% °C	Output resistance	350 Ω ±5
Temperature effect on span	0.002% °C	Zero balance	±1%
Compensated temperature range	-10 °C / +40 °C	Insulation resistance	>5000 MΩ
Operating temperature range	-20 °C / +60 °C	Safe overload (% of full scale)	150%
Creep at nominal load in 30 minutes	0.02%	Ultimate overload (% of full scale)	300%
Max supply voltage without damage	15 V	Deflection at nominal load	0.3 mm

### ELECTRICAL CONNECTIONS

Cable length	3 m
Cable diameter	4 mm
Cores	4/6 x 0.20 mm <sup>2</sup>

