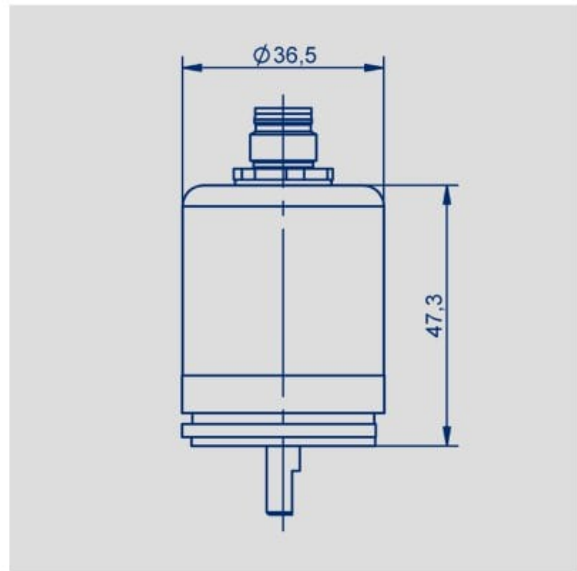


**NOVOHALL  
 Rotary Sensor  
 non-contacting**

 Series RSB-3600  
 Series RMB-3600

**Special features**

- Non-contacting, hall technology
- Measuring range up to 5760°
- Single- and multiturn
- True-Power-On system: counts turns even when not powered. Patented non-volatile technology does not require gears or batteries
- Solid shaft or hollow shaft
- Protection class IP67, IP6K9K
- Optimized for industrial and mobile applications
- Resolution 12 bit (singleturn) or up to 18 bit (multiturn)
- Absolute linearity up to  $\pm 0.03\%$
- One and multi-channel versions

**Applications**

- Mechanical engineering
  - Textile machinery
  - Packing machinery
  - Sheet metal and wire working machinery
- Medical appliances
- Mobile machinery
  - Industrial trucks
  - Construction machinery
  - Agricultural and forestry machinery
- Navy applications

**Non-contacting Rotary Sensor in very robust design including a double bearing system in a compact OD 36 mm full metal housing.**

The sensor is based on the Hall technology and the True-Power-On multiturn additionally utilizes the GMR technology (Giant Magneto Resistance) for measurements of up to 16 revolutions.

The heavy-duty version in IP6K9K ingress protection version is well suited for extreme environment applications including high bearing loads.

The semi-hollow shaft version with its integrated stator coupling obsoletes a costly

separate shaft coupling. Versions with an industry standard M12-connector or cable in different lengths are available.

There is a wide variety of analog and digital electrical interfaces to choose from.