

**NOVOHALL
Angle Sensor
non-contacting**

Series RSC3200



The housing is made of a special high grade temperature-resistant plastic material. Fixation with brass bushings allow simplicity of mounting.

The customer's D-shaft is inserted into the shaft coupling of the sensor and also takes over the function of the bearing for the position magnet.

Special features

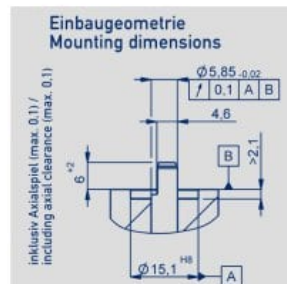
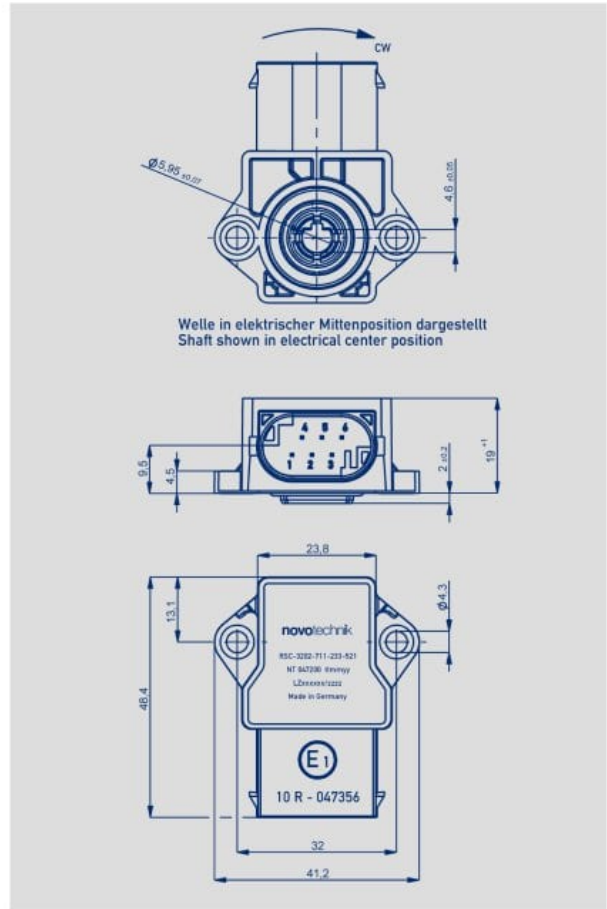
- non-contacting, magnetic measuring principle (Hall)
- analog interface
- redundant system
- electrical range up to 360°
- temperature range -40° up to +125° C
- simple mounting
- protection class IP6k7/IP6k9k
- long life
- very favourable price /performance ratio
- european E1 approved

Applications

- For mobile and automotive applications such as
- throttle
 - EGR valves
 - transmission gear
 - accelerator

Despite of its compact and wear-free design the sensors are very robust against environmental influences like vibrations, temperature variations, dirt and humidity. These sensors are suitable for use in all kinds of rough environment for example close to engines in automotive applications.

Special models with different electrical angles and contact versions are available upon request.



Description	
Housing	high-grade, temperature-resistant plastic
Integrated shaft coupling	high-grade plastic
Electrical connections	6-pin MQS-connector, code A, tinned contact according to drawing AMP-114-18063-126, index A1 (connector: AMP P/N 1-967616-1)
Sealing	O-ring